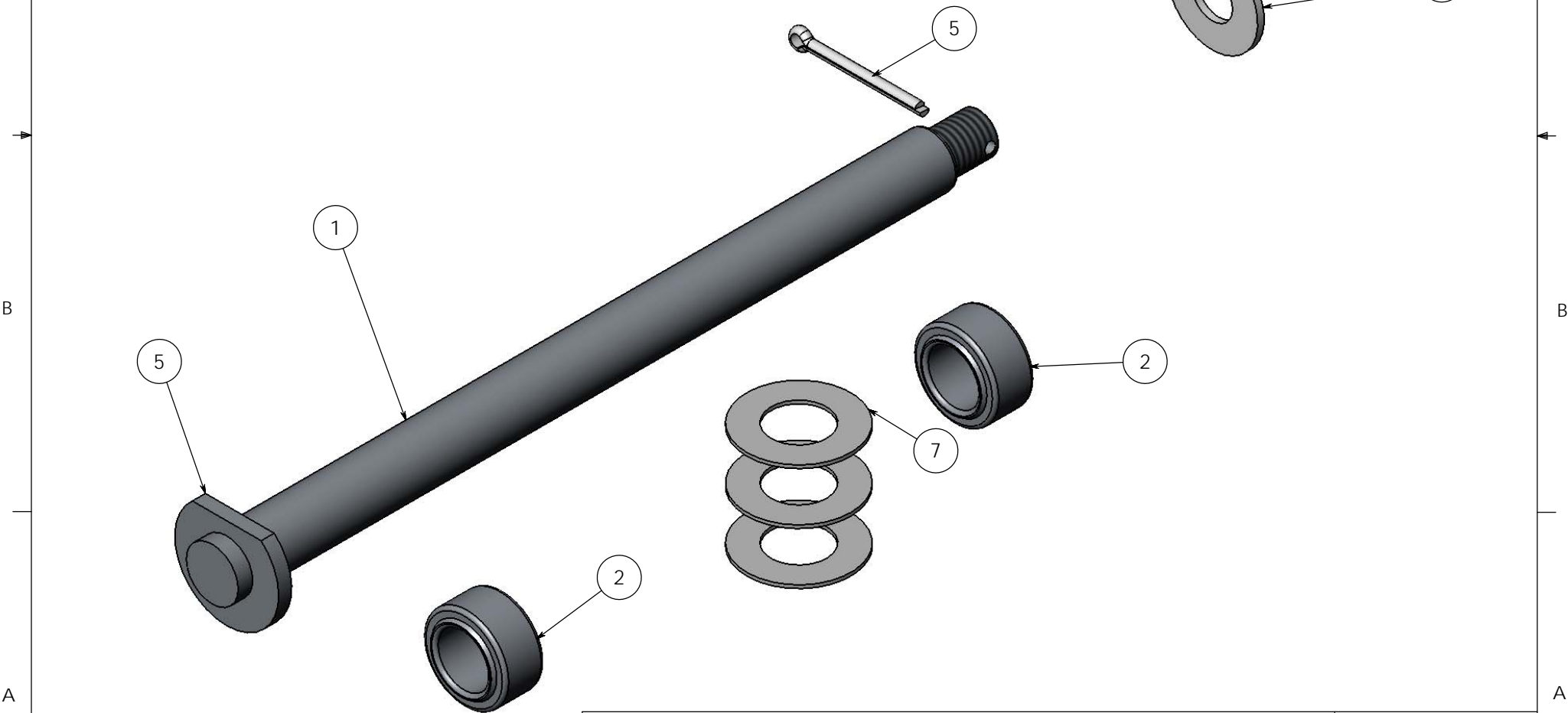
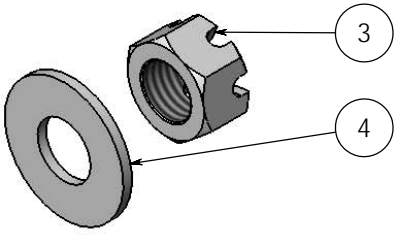


ITEM NO.	PART NUMBER	DESCRIPTION	81802R/QTY.
1	81802	Hopper Tt Shaft Welded	1
2	80306	Bearing Hopper Pivot	2
3	NC-1.5-12	Nut Castellated : 1 1/2-12	1
4	WF-1.5	Washer Flat 1 1/2	1
5	38-4CP	Pin Cotter 3/8 X 4	1
6	81804	Hopper TT Shaft Plate	1
7	81805	Washer Hopper TT Pvt. Shaft	3



I:\Solidworks\Part\T-630\81802A\81802A	DR. BY few
--	------------

T-630	DATE 6-25-2008
-------	----------------

Hopper/TT Shaft w/Nut, Pin, Cotter	SHOP #
	81802R



MACHINE & STEEL
SERVICE INC.
P.O. BOX 492810 LEESBURG, FLA. 34749-2810